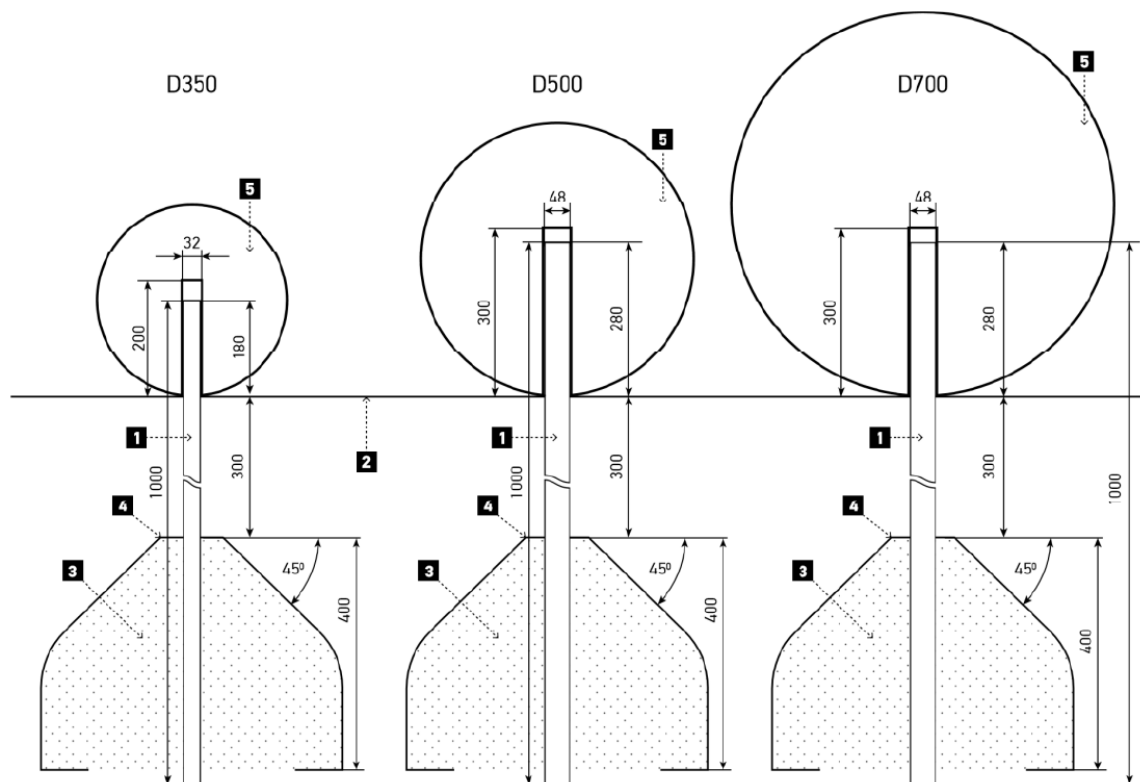


RUBRIG rubber 3D form installation instruction

Installation:

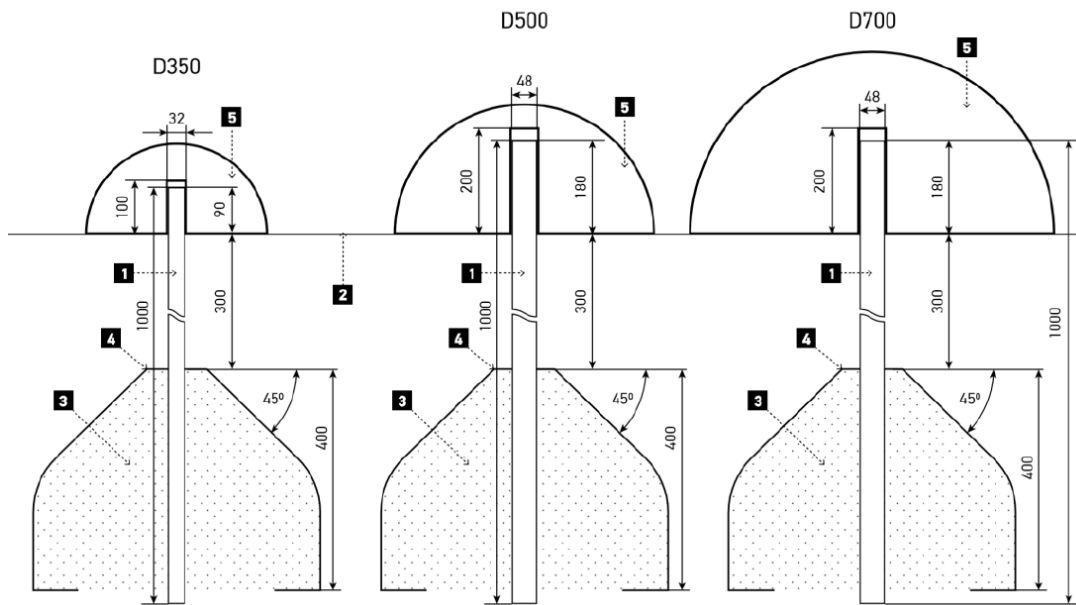
Install RUBRIG 3D forms – spheres, hemispheres and cubes by inserting optional steel mounting anchor into prepared fresh concrete bed located over stable, good compacted bearing substructure. RUBRIG 3D forms can be glued (except spheres) on surface of RUBRIG safety tiles or other rubber surface, please use PU glue STAUF R105 or analogue.

Mounting with steel anchor- spheres:



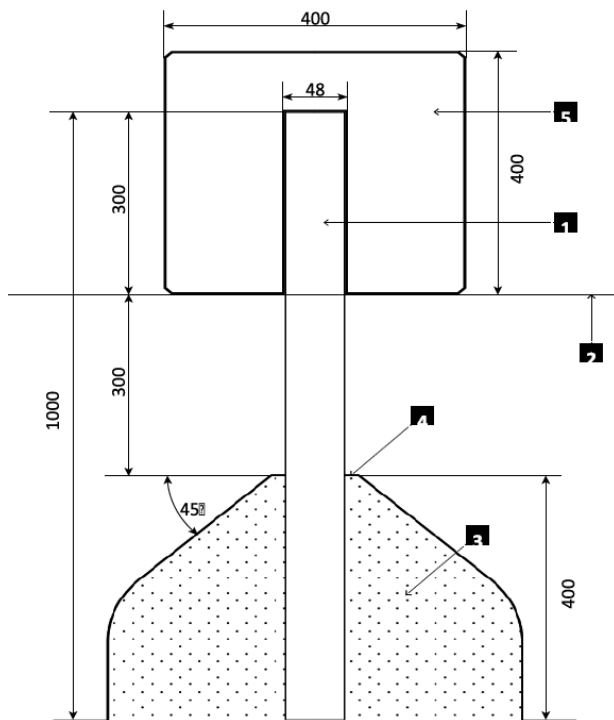
- 1- Steel anchor
- 2- Ground level
- 3- Concrete
- 4- Highest point of concrete under ground level
- 5- sphere

Drawing of hemisphere installation:



- 1- Steel anchor
- 2- Ground level
- 3- Concrete
- 4- Highest point of concrete under ground level
- 5- Hemisphere

Drawing of Cube installation:



- 1- Steel anchor
- 2- Ground level
- 3- Concrete
- 4- Highest point of concrete under ground level
- 5- Cube

Please take care that RUBRIG 3D forms have at least with 1,5m minimum free space around the product, measured from any side. If RUBRIG 3D forms are installed in groups, than minimum free space of 1,5m should be organized around the product group, measuring from side of product group area.

RUBRIG 3D forms should be installed on safety surface of children playground field.

The cubes, hemispheres and spheres with diameter of 500 and 700mm should be carried and installed using mechanical lifting tools, f.e. tripod with winch equipped with textile ropes.



To avoid color variations due to sunlight exposure, leave the UV protection film on the product as supplied until installation moment.